

SEARS SEATING

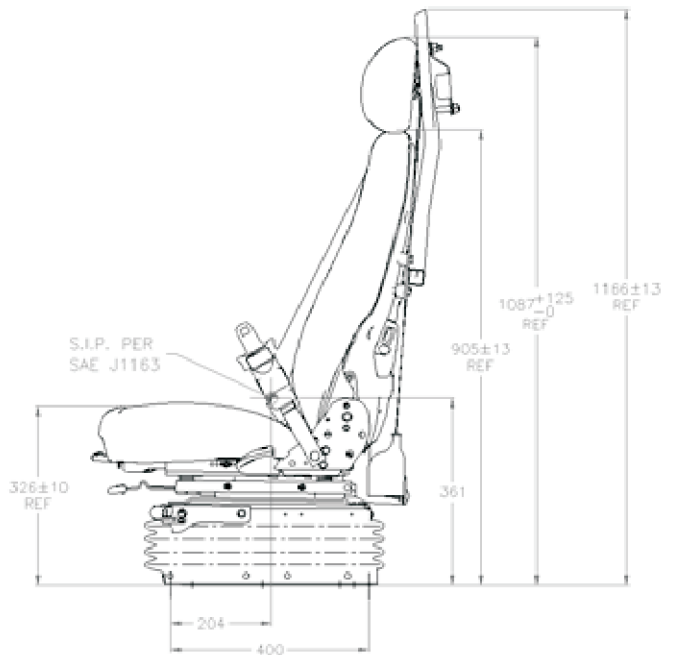
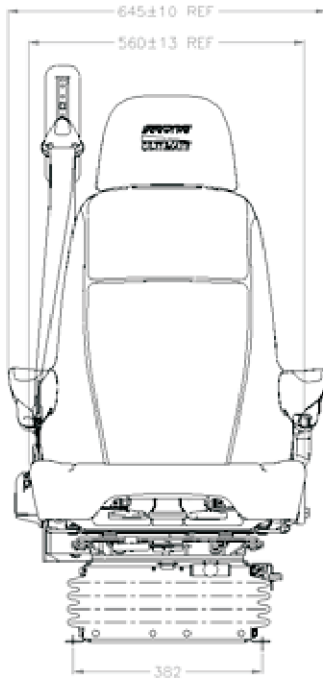
D8599 3P Series

SHAPING *the future of seats today*



Multi - Innovationspreisgekrönte Sitze





Wide severe duty Toggle Link low frequency Computer Controlled plug & play, Active-S air suspension with three position ride selector & Airide® high volume air spring.

FEATURES

- ! Replaceable double depth comfort cushion
- ! Headrest with 3 position angle adjustment
- ! Back angle fully adjustable 55 °
- ! Seat height adjustment 76mm
- ! Automatic weight adjustment 50 to 180kg
- ! Seat cushion length adjustment 60mm
- ! Seat cushion tilt adjustment 21°
- ! Ride selector 3 three positions
- ! Motion Master® Semi-Active Damper
- ! Adjustable & tilt up armrests
- ! Suspension stroke 80mm
- ! Lateral isolator fully integrated, sprung & Duo® damped
- ! Electric air lumbar
- ! Suspension cover
- ! Roll over restraint best system

OPTIONS

- ! Suspension height limiter 40mm
- ! Lateral isolator
- ! Seat belt to ISO 6683
- ! Seat heaters 12v or 24v
- ! Operator presence switch
- ! Range of high quality fabric

Sears Manufacturing Co.(Europe) Ltd
 Unit 42, Rassau Industrial Estate,
 Ebbw Vale, Gwent NP23 5SD.
 United Kingdom
 Tel. 0044(0) 1495 304518
 Fax. 0044(0) 1495 304452
 Email: infouk@searsseating.com
 www.searsseating.com

