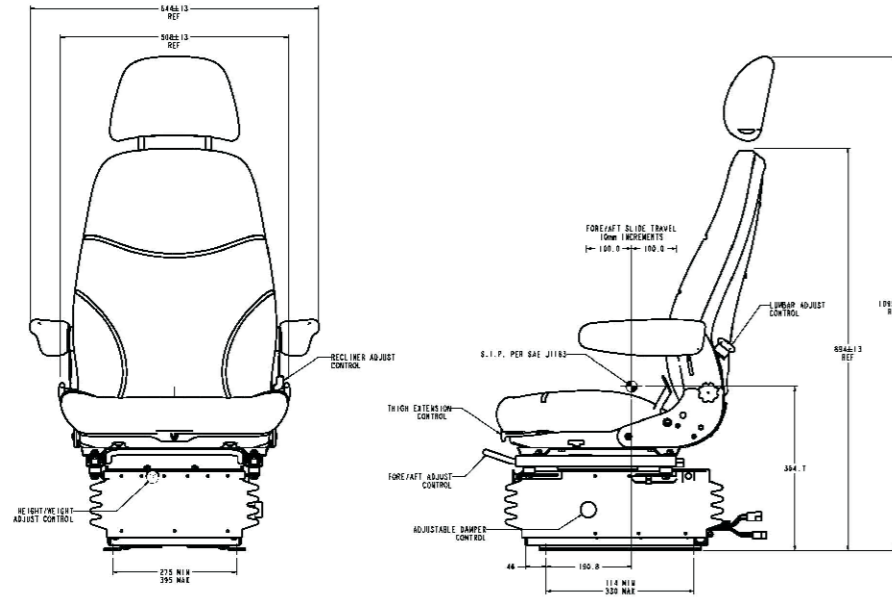
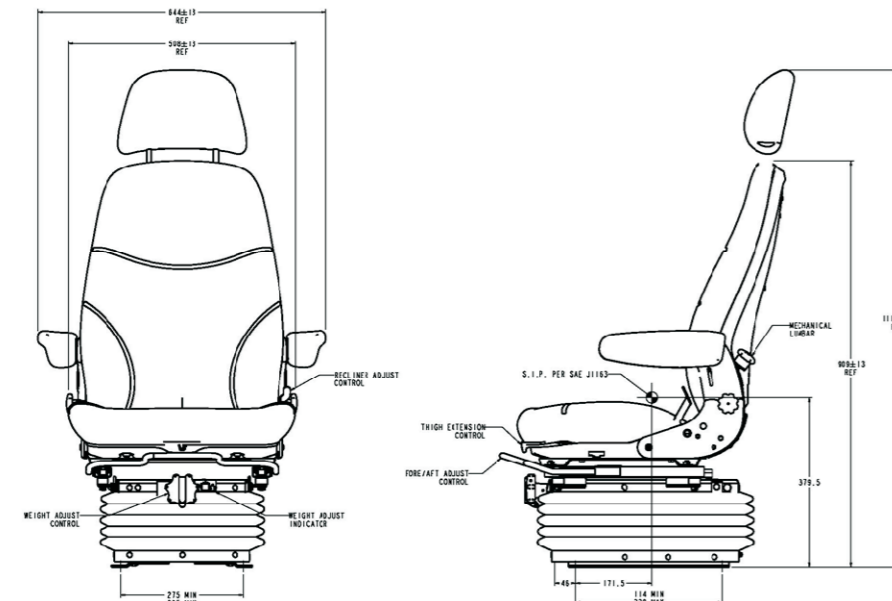




D7060



7020



WORK HARD. WORK COMFORTABLY.

WHY SEARS SEATING

With five generations of experience, Sears is a leading seat supplier for the work vehicle industry. To meet the ever changing needs of the marketplace, we deliver outstanding operator comfort and health through collaborative relationships and unsurpassed commitment to the agriculture, construction, forestry, industrial, turf care and over-the-road markets worldwide.



Sears Seating
World Headquarters
 1718 S. Concord St.
 PO Box 3667
 Davenport, IA 52808
 P +1 (800) 553-3013

Sears Seating Europe
 Unit 42
 Rassau Industrial Estate
 Ebbw Vale, Gwent
 NP23 55D
 United Kingdom
 P +44 1495 304518

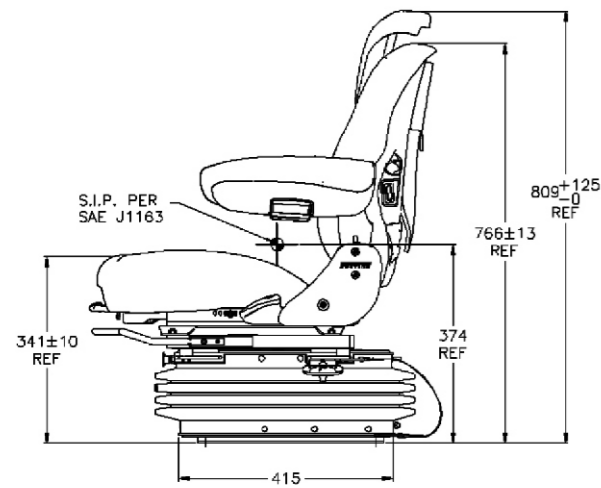
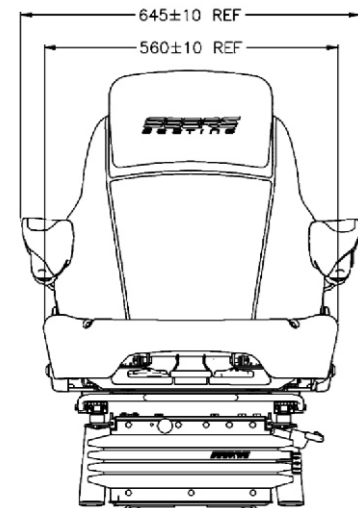
Sears-GSK Asia Manufacturing Co.
 Quanxing Road Lang Fang Economic
 and Technology Development Zone
 Langfeng Hebei Province
 P.R. China
 P +86 316-2550699

Sears Seating Do Brasil
 Avenida Charles Goodyear, 54
 Dist Indust. Cururuquara,
 Santana de Parnaiba, São Paulo
 06524-115
 Brazil
 P +55 11 4154-1412



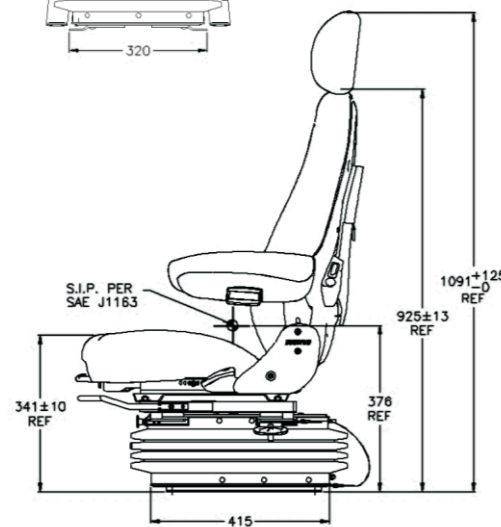
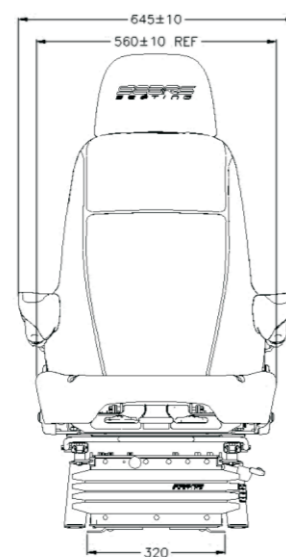
5500 Mid Back

D5570 Series



8500 Hi-Back

D8570 Series



8500 Series



Posture Rite™ headrest

Every back is different. With high back cushions, help to prevent damage from bad posture, keeping you feeling relaxed, even during long periods behind the controls. The Posture Rite™ headrest can be adjusted with 4 forward positions.

Fabric design

Tough, hard wearing, waterproof, stylish and good looking.

Fully adjustable armrest (Optional)

Designed for easy angle adjustment on the move, these fully fold up arms feature substantial foam padding on the inside of the arm greatly improving comfort

Wide, double depth Fabriform® cushions

For superior support and comfort the patented Fabriform® cushions, developed in Europe and on the prairies of North America, are ergonomically designed using double depth foam, making Sears cushion comfort legendary.

Seat cushion angle adjustment

The adjustable Seat Angle reduces pressure on the back of the knees in 3 steps.

Seat cushion extension

60mm (2 1/4 ") in 5 steps providing thigh support whatever your height

Slides

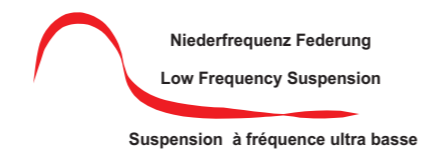
Double lock slide travel 200mm

Low natural frequency Airide® suspension

Sears introduced low frequency suspensions for optimum ride performance and seating comfort in 1987. 20 years of low frequency development have made Sears the world leader in advanced suspensions. Designed to absorb jolts and vibrations more effectively, our expertise ensures you a vastly improved ride, even at high speeds,

Variable suspension stroke limiter

Useful for cab ceiling limitations this feature offers overall



Document holder

Ergonomically sculptured back support

For full range of movement

Electric Air lumbar support (option)

Back care at the touch of a button. The air lumbar support moulds itself to your back, quickly and exactly - not only making you feel comfortable, but

Seat heating (optional)

Thermostatically controlled heater with multi filament design for rapid warm up.

Automatic Ride Positioning System™ (ARPST™)

Touch the air valve once and the automatic seat positioning system inflates the air spring to the optimal ride position & comfort. Further manual adjustment is available if required.

80mm (3") seat height adjustment

Perfect positioning for any height
80mm (3") suspension travel

Isolates even the hardest vertical jolts

Infinite seat back angle adjustment

Lateral isolator (optional)

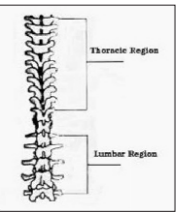
The heavy duty DUO® damped lateral isolator system with nylon rollers, provides vastly improved ride performance when the going gets tough,

Horizontal isolator (Optional)

Fully sprung and DUO® damped with 50mm of travel, this lockable feature offers the greatest protection from fore-aft jolts and vibration created when travelling at high speeds, over tough terrain or when using trailers or auxiliary equipment.

Adjustable DUO® damper

The unique twin chambered Duo® damper offers vastly improved performance especially over extended work cycles. The wide damper body provides heat dissipation, while the second damper chamber provides fluid cooling helping to optimize performance. It also provides not just hard and soft settings but a fully multi-position damper to suit virtually all jobs and terrain conditions.



	D5570	D5560	5520	D8570	D8560	8520	D7060	7050	7020
Armrests									
Angle adjusting, fold up 70 mm x 320mm	●	●	●	●	●	●	●	●	●
High back rest	●	●	●	●	●	●	●	●	●
Ashphalt cover fabric	●	●	●	●	●	●	●	●	●
Shock absorbers adjustable	●	●	●	●	●	●	●	●	●
Non adjustable	●	●	●	●	●	●	●	●	●
180° Turntable	●	●	●	●	●	●	●	●	●
Suspension									
Air suspension with 24v compressor, weight range 30-150kg	●	●	●	●	●	●	●	●	●
Mechanical suspension with weight range 30 - 140kg	●	●	●	●	●	●	●	●	●
Low frequency suspension	●	●	●	●	●	●	●	●	●
80mm (3") suspension travel	●	●	●	●	●	●	●	●	●
Height adjustment									
80mm (3")	●	●	●	●	●	●	●	●	●
Variable height limiter	●	●	●	●	●	●	●	●	●
Fore/aft adjustment over 180mm (7 3/4") range	●	●	●	●	●	●	●	●	●
Horizontal isolator	●	●	●	●	●	●	●	●	●
Lumbar support									
Electric air	●	●	●	●	●	●	●	●	●
Manual air	●	●	●	●	●	●	●	●	●
Cushions									
Double depth	●	●	●	●	●	●	●	●	●
Wide 520 mm (20")	●	●	●	●	●	●	●	●	●
Adjustable backrest angle	●	●	●	●	●	●	●	●	●
Adjustable backrest angle	●	●	●	●	●	●	●	●	●
Headrest with 4 position adjustment	●	●	●	●	●	●	●	●	●
Integrated seatback extension	●	●	●	●	●	●	●	●	●
Adjustable seat cushion length	●	●	●	●	●	●	●	●	●
Seat Cushion Tilt	●	●	●	●	●	●	●	●	●
Document holder	●	●	●	●	●	●	●	●	●
OPTIONAL FEATURES									
Seat belt	●	●	●	●	●	●	●	●	●
Lateral isolator	●	●	●	●	●	●	●	●	●
Seat heating	●	●	●	●	●	●	●	●	●
Seat switch	●	●	●	●	●	●	●	●	●

● Standard ● Optional