

SEARS SEATING

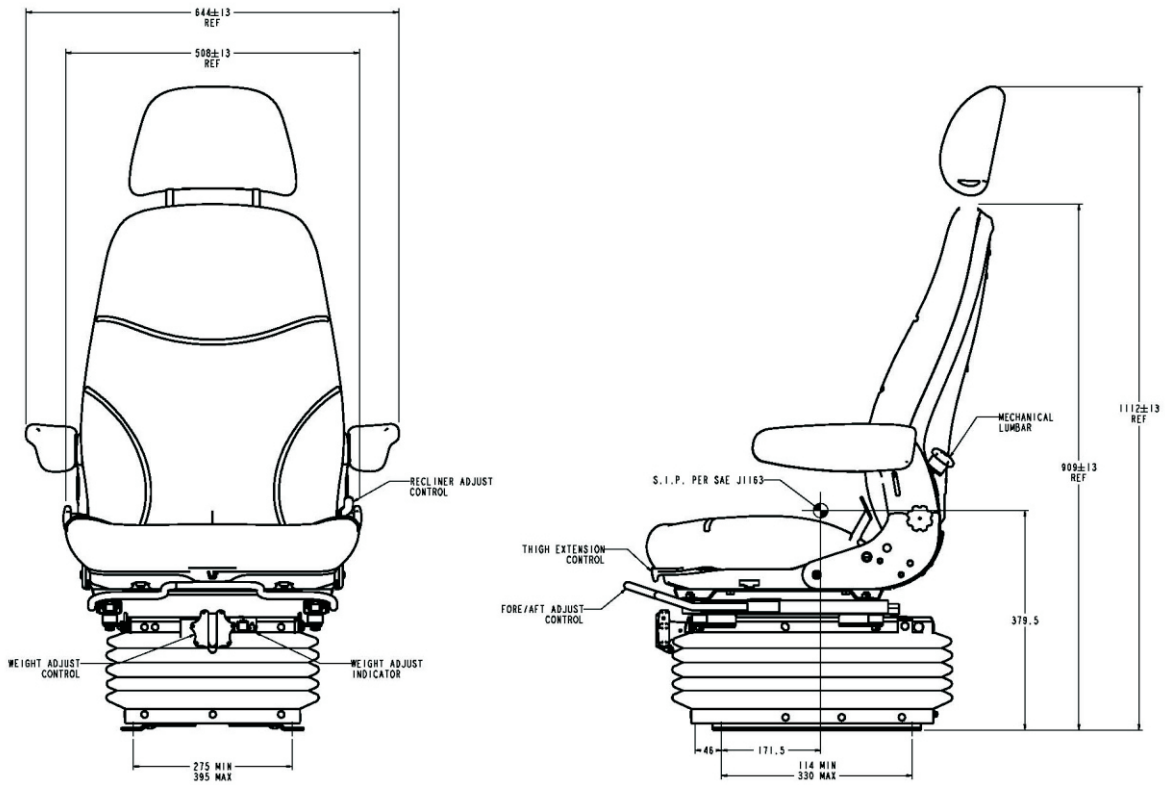
D7020 Series

SHAPING *the future of seats today*



Multi - Innovationspreisgekrönte Sitze





Large mechanical suspension with 3 position height adjustment & double acting Duo® damper.

FEATURES

- Replaceable double depth Fabriform® comfort cushions
- Back angle fully adjustable
- Height adjustment 76mm
- Weight adjustment 30-140kg
- Double lock slide travel 200mm
- Mechanical Lumbar
- Suspension stroke 80mm
- Moulded suspension cover
- Vibration performance to ISO 7096

OPTIONS

- Lateral isolator
- Seat belt to ISO 6683
- Seat heaters 12, 24, 48v
- Armrests with tilt up adjustment
- Headrest with 3 position angle adjustment
- Operator presence switch
- Range of fabric, velour or PVC trim
- Tether belt version to J386 (1985 - 22Kn)

Sears Manufacturing Co.(Europe) Ltd
 Unit 42, Rassau Industrial Estate,
 Ebbw Vale, Gwent NP23 5SD.
 United Kingdom
 Tel. 0044(0) 1495 304518
 Fax. 0044(0) 1495 304452
 Email: infouk@searsseating.com
 www.searsseating.com

