



SERIES D5585/D5595

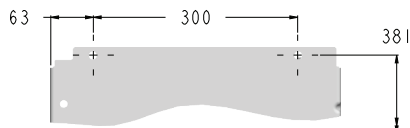
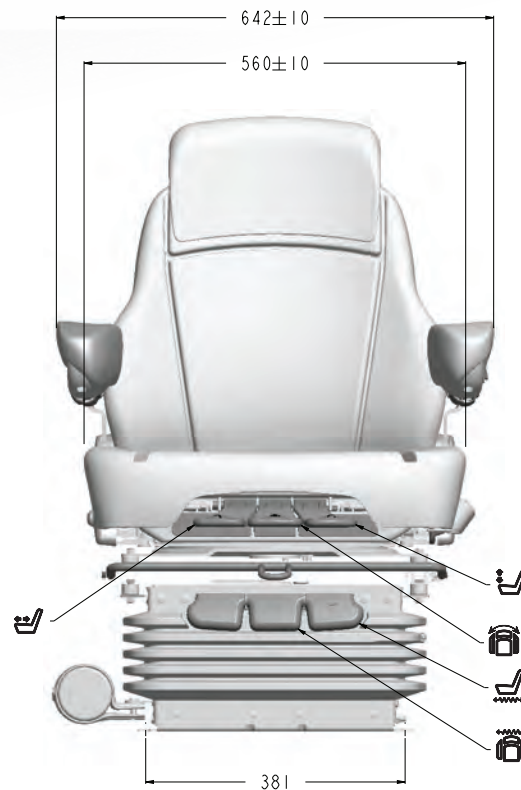
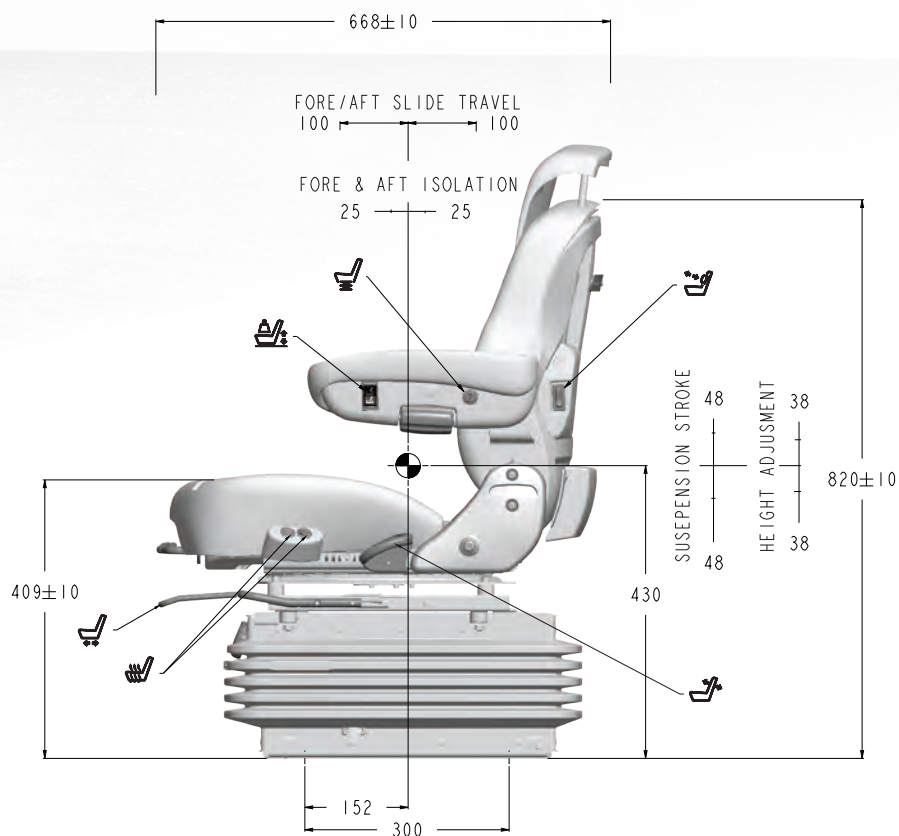
Ideally suited for high horsepower agricultural applications, this series offers the premium 5500 seat top together with an extra wide, low natural frequency, passive or ActiveVRS air suspension. The wide suspension improves stability and the integrated fore/aft and lateral isolation package further protects operators from all vehicle vibrations.





	SERIES NUMBER	D5585	D5585	D5595
	PART NUMBER	SA30589.175	SA48188.185	SA37233.185
SEAT TOP	Backrest recline adjust	•	•	•
	Cut & sew fabric cushions	•	–	–
	Cut & sew leather cushions	–	•	•
	Integrated adjustable upper backrest	•	•	•
	Seat cushion length and angle adjust	•	•	•
	Heated cushions	•	–	–
	Heat & ventilation system	–	•	•
	Electric air lumbar	•	•	•
SUSPENSION	Extra wide low natural frequency air suspension	•	•	•
	Suspension stroke 178mm	•	•	•
	"Active VRS" rheological air suspension	–	–	•
	Adjustable shock absorber	•	•	•
	Operator weight range 45-200kg	•	•	•
	Integrated fore/aft isolator	•	•	•
	Integrated lateral isolator	•	•	•
OTHER FEATURES	Fully adjustable armrests	•	•	•
	Armrest mounted suspension control	•	•	•
	Swivel adjust - 24 deg L, 24 deg R	•	•	•
	Fore/aft slide adjust 200mm travel	•	•	•
	Operator presence switch	•	•	•
	Seat belt	○	○	○
	Document holder	•	•	•

• STANDARD ○ DEALER FIT OPTION



- DAMPING, ADJUSTMENT
- RECLINE ADJUSTMENT
- CUSHION, FORE & AFT ADJUSTMENT
- ISOLATION, FORE & AFT CONTROL
- FORE & AFT SLIDE TRAVEL ADJUSTMENT
- SEAT HEATER CONTROL
- HEIGHT/WEIGHT ADJUSTMENT
- ISOLATION, LATERAL CONTROL
- LUMBAR ADJUSTMENT
- SWIVEL ADJUSTMENT
- CUSHION TILT ADJUSTMENT