



# SERIES 606/706

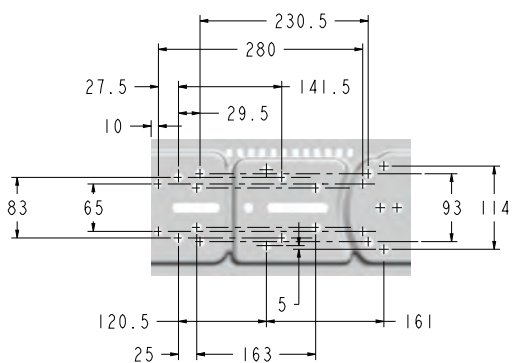
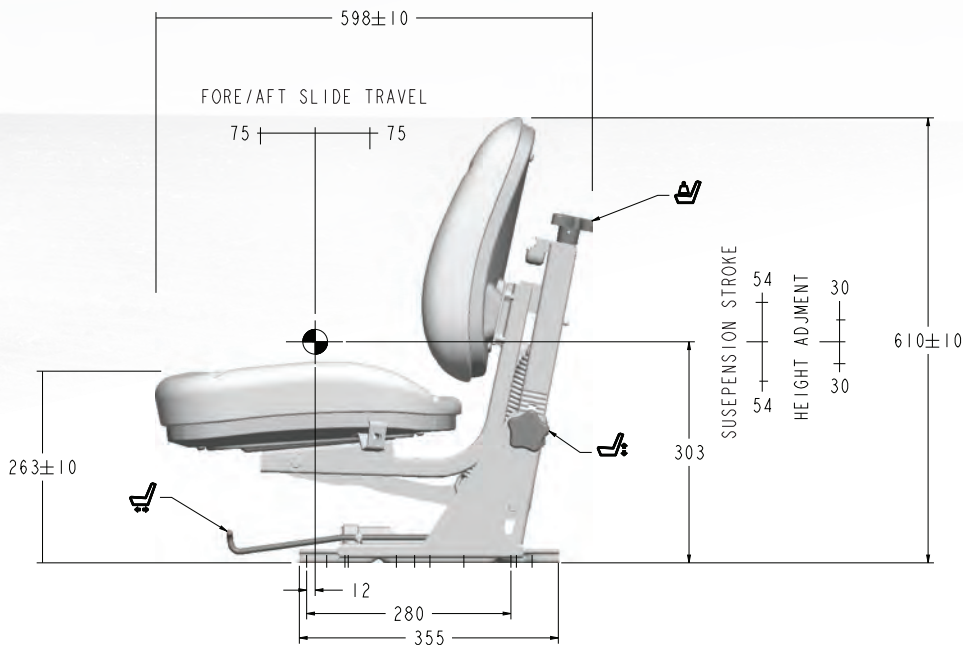
The updated 606 & 706 series behind-the-seat suspension features redesigned spring and shock geometry to dramatically enhance functionality with reduced spring rate, increased durability and a lower SIP.





	SERIES NUMBER	606	706
	PART NUMBER	SA20455	SA20491
SEAT TOP	Height adjustable backrest, non-recline	•	•
	Black PVC cushions	•	•
SUSPENSION	Mechanical	•	•
	Suspension stroke 108mm	•	•
	Manual weight adjust 45 - 150kg	•	•
	Height adjust 60mm	•	•
	Fixed shock absorber	•	•
OTHER FEATURES	Fore/aft slide adjust 152mm travel	•	•
	Operator presence switch	○	○
	Seat belt	○	○
	Document holder	○	○

• STANDARD ○ DEALER FIT OPTION



FORE & AFT SLIDE TRAVEL ADJUSTMENT

HEIGHT ADJUSTMENT

WEIGHT ADJUSTMENT