

# SEARS SEATING

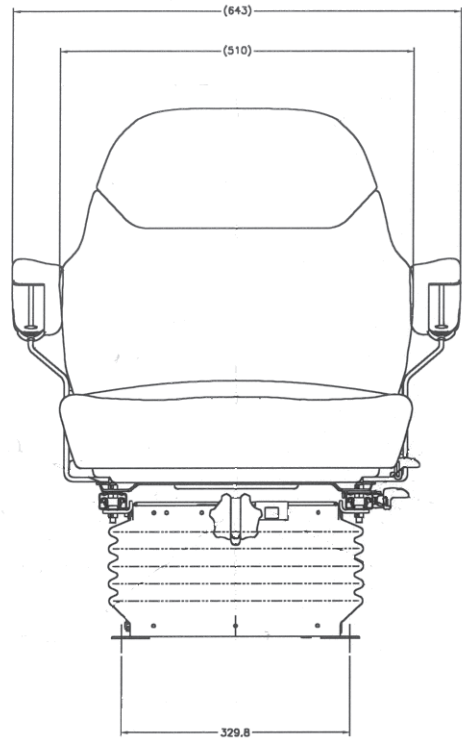
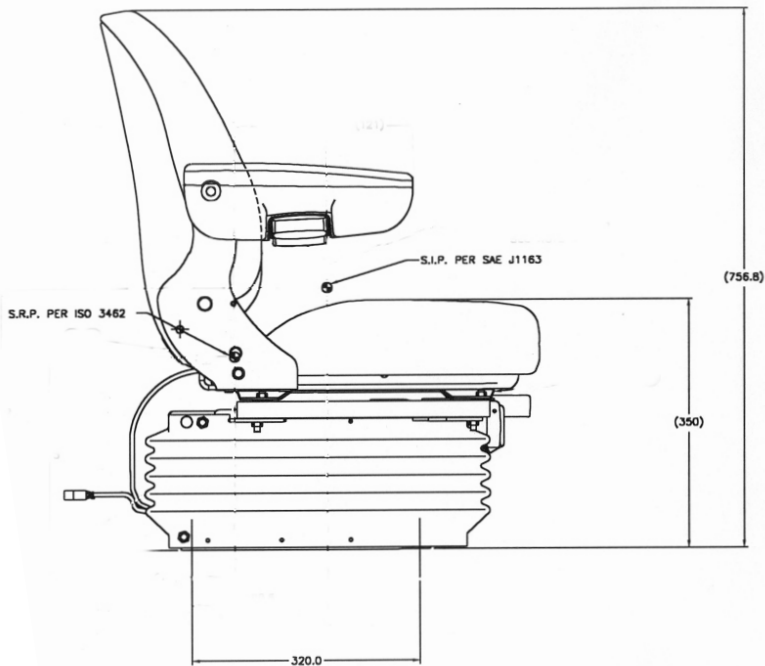
5520 Series

SHAPING *the future of seats today*



Multi - Innovationspreisgekrönte Sitze





Large mechanical suspension with 3 position height adjustment & double acting Duo® damper

### FEATURES

- Replaceable double depth Fabriform® comfort cushions
- Back angle fully adjustable
- Mechanical Lumbar
- Height adjustment 76mm
- Weight adjustment 50-150kg
- Suspension stroke 80mm
- Double lock slide travel 200mm
- Moulded suspension cover
- Vibration performance to ISO 7096

### OPTIONS

- Armrests with height pitch & tilt up adjustment
- Upper back rest
- Seat belt to ISO 6683
- Turntable 0°-180°
- Seat heaters 12, 24, 48v
- Operator presence switch
- Range of fabric, velour or PVC trim
- Tether belt version to J386 (1985 - 22Kn)

Sears Manufacturing Co.(Europe) Ltd  
Unit 42, Rassau Industrial Estate,  
Ebbw Vale, Gwent NP23 5SD.  
United Kingdom  
Tel. 0044(0) 1495 304518  
Fax. 0044(0) 1495 304452  
Email: [infouk@searsseating.com](mailto:infouk@searsseating.com)  
[www.searsseating.com](http://www.searsseating.com)

