



SERIES 5500

Ideally suited for medium to high horsepower vehicle applications, the series 5500 offers premium levels of comfort and a host of features.

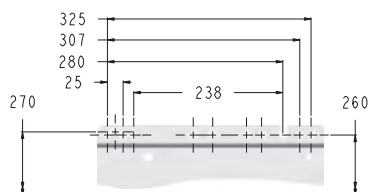
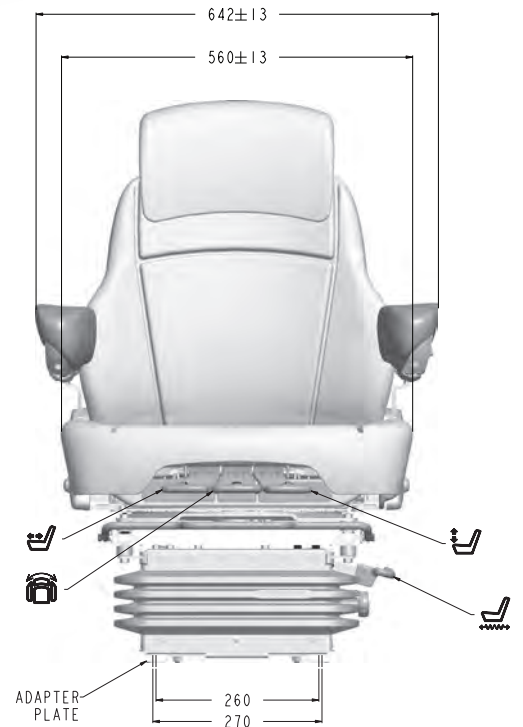
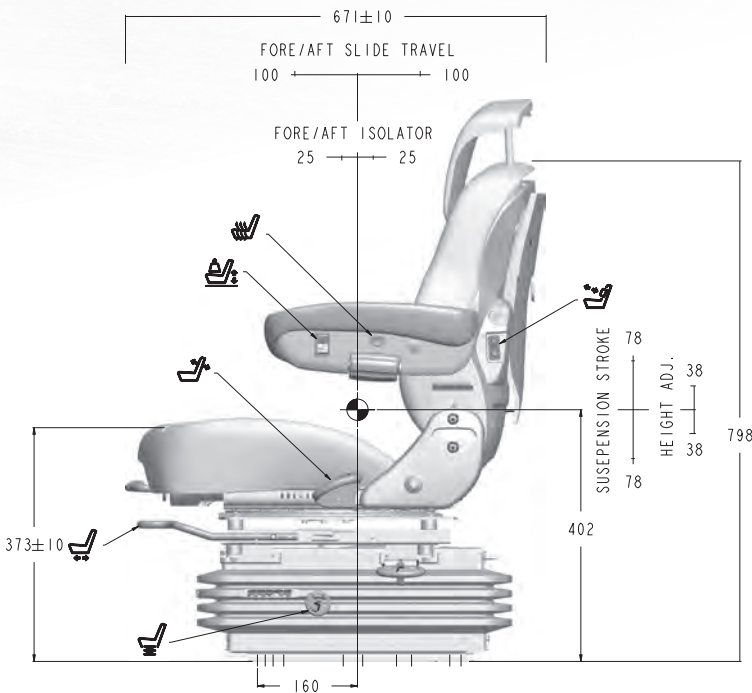
The series 5500 product range incorporates a premium seat top together with a low natural frequency LP air suspension with a host of deluxe options to optimize comfort and help make the working day a much more comfortable experience in all operating conditions.





	SERIES NUMBER	5545	5545	D5565	D5575	D5575
	PART NUMBER	SA30580.400	SA34372.400	SA30582.400	SA30581.400	SA30583.400
SEAT TOP	Backrest recline adjust	•	•	•	•	•
	Fabriform cushions (pour in place)	•	•	•	•	•
	Integrated adjustable upper backrest	○	○	•	•	•
	Seat cushion length and angle adjust	–	–	•	•	•
	Heated cushions	–	–	–	–	•
	Mechanical lumbar	•	•	–	–	–
	Electric air lumbar	–	–	•	•	•
SUSPENSION	Low natural frequency air suspension	•	•	•	•	•
	Suspension stroke 156mm	•	•	•	•	•
	Fixed shock absorber	•	•	•	–	–
	Adjustable shock absorber	–	–	–	•	•
	Auto height/weight adjust	•	•	•	•	•
	Operator weight range 45-200 kg	•	•	•	•	•
	Integrated fore/aft isolator	•	•	•	•	•
	Lateral isolator module	○	○	○	○	○
OTHER FEATURES	Fully adjustable armrests	•	•	•	•	•
	Armrest mounted suspension control	–	–	•	•	•
	Swivel adjust - 24 deg L, 24 deg R	•	–	•	•	•
	Swivel adjust - 180 deg	–	•	–	–	–
	Fore/aft slide adjust 200mm travel	•	•	•	•	•
	Operator presence switch	•	•	•	•	•
	Seat belt	○	○	○	○	○
	Document holder	•	•	•	•	•
	Universal multi-fix adaptor plate	•	•	•	•	•

• STANDARD ○ DEALER FIT OPTION



- DAMPING ADJUSTMENT
- HEIGHT/WEIGHT ADJUSTMENT
- RECLINE ADJUSTMENT
- LUMBAR ADJUSTMENT
- CUSHION, FORE & AFT ADJUSTMENT
- SEAT HEATER CONTROL
- ISOLATION, FORE & AFT CONTROL
- SWIVEL ADJUSTMENT
- FORE & AFT SLIDE TRAVEL ADJUSTMENT
- CUSHION TILT ADJUSTMENT