



SERIES 3030

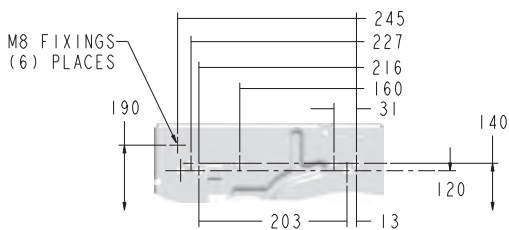
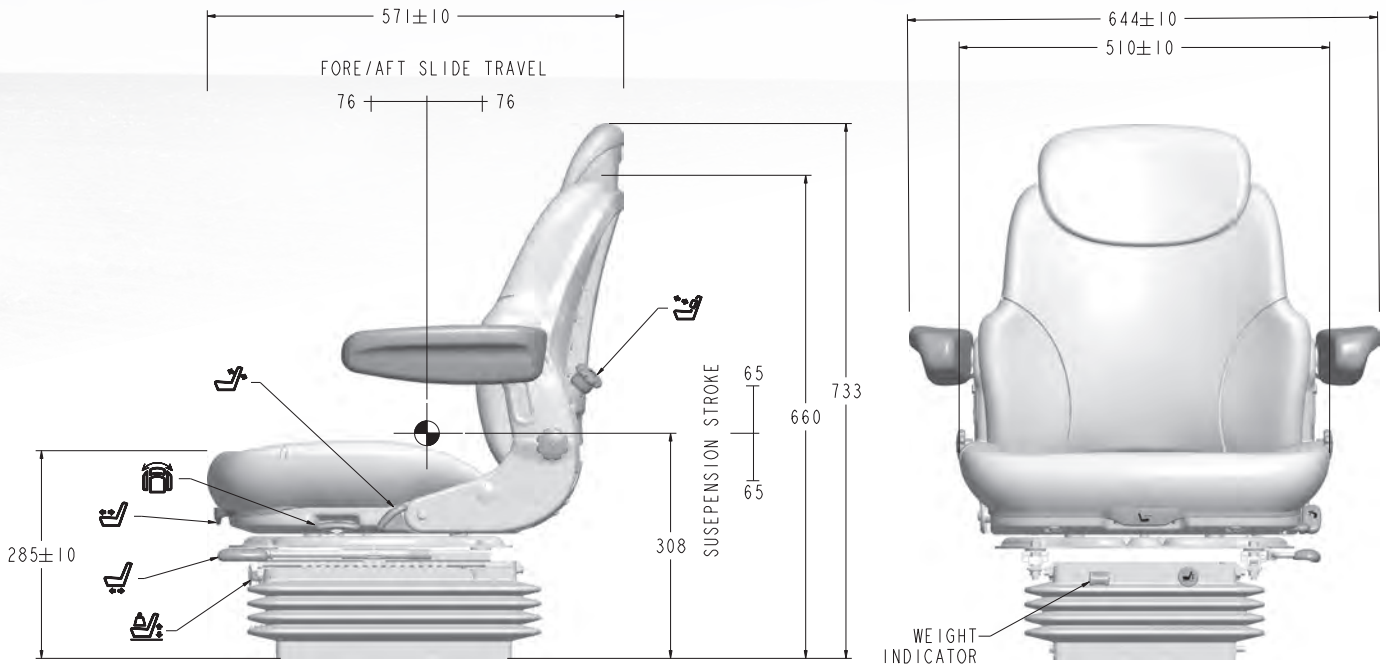
Exceptional comfort in a cost effective package, the series 3030 product range incorporates the popular series 3000 seat top with a compact 30 series air suspension. Ergonomically designed, easily serviceable seat cushions with back recline adjustment and fitted armrests ensure all-day comfort.





		SERIES NUMBER	3030	3030	3030	D3030
		PART NUMBER	SA20465.100	SA24122.400	SA25496.400	SA26467.400
SEAT TOP	Backrest recline adjustment		•	•	•	•
	Black PVC cushions		•	–	–	–
	Fabriform cushions (pour in place)		–	•	•	•
	Integrated adjustable upper backrest		–	–	–	•
	Seat cushion length adjust - 35mm		–	–	–	•
	Lumbar - mechanical		•	•	•	•
SUSPENSION	Compact air		•	•	•	•
	Suspension stroke 130mm		•	•	•	•
	Manual weight adjust 45 - 180kg		•	•	•	•
	Height adjust 60mm		•	•	•	•
	Fixed shock absorber		•	•	•	•
OTHER FEATURES	Armrests - tilt-up and height adjust		•	•	•	•
	Swivel adjust - 20° L and 20° R		–	–	–	•
	Fore/aft slide adjust 152mm travel		•	•	•	•
	Combined slide/fore aft isolator		○	○	•	○
	Operator presence switch		○	○	○	○
	Seat belt		○	○	○	○
	Document holder		○	○	○	○

• STANDARD ○ DEALER FIT OPTION



- RECLINE ADJUSTMENT
- CUSHION, FORE & AFT ADJUSTMENT
- FORE & AFT SLIDE TRAVEL ADJUSTMENT

- HEIGHT/WEIGHT ADJUSTMENT
- LUMBAR ADJUSTMENT
- SWIVEL ADJUSTMENT