

SEARS SEATING

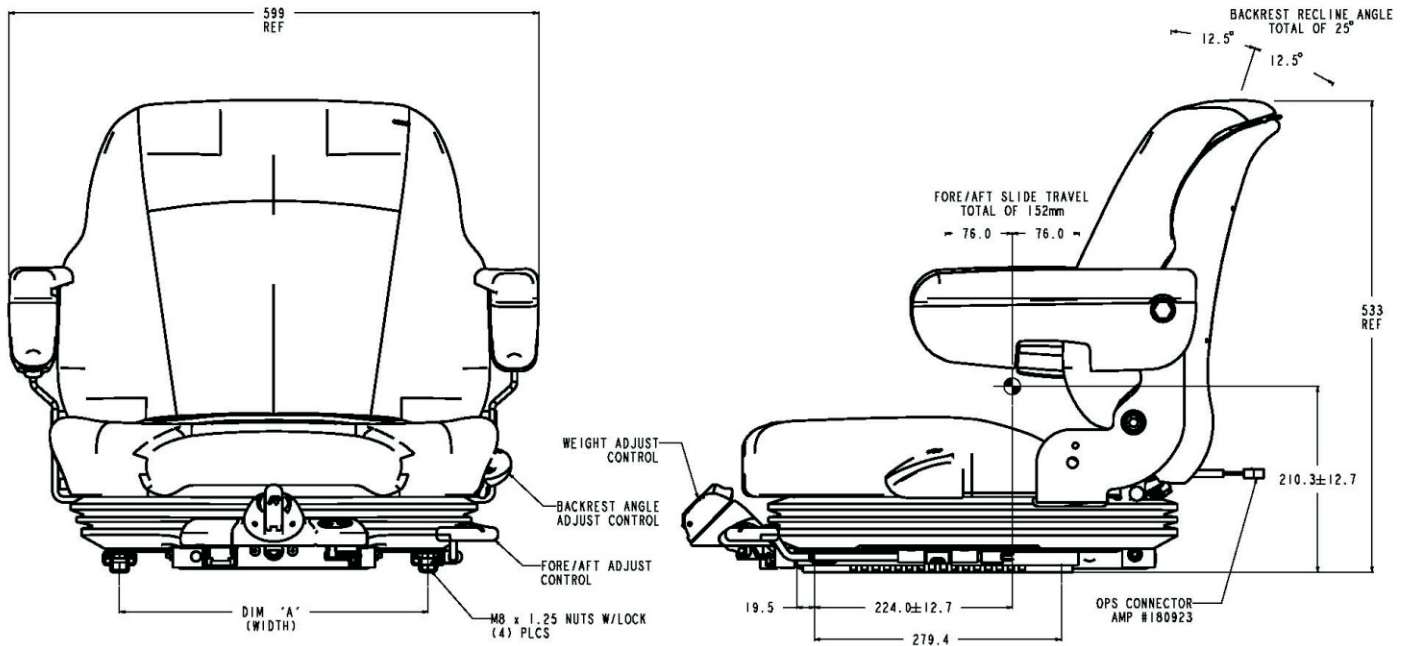
1715 Series

SHAPING *the future of seats today*



Multi - Innovationspreisgekrönte Sitze





Low profile full mechanical suspension to IT1 & IT2.

FEATURES

- Replaceable double depth Fabriform® comfort cushions
- Back angle fully adjustable
- Weight adjustment 50-145kg
- Suspension stroke 60-80-100mm
- Slide travel 160mm
- Moulded suspension cover
- Vibration performance to ISO 7096
- EXCEEDS isolation performance 0.5m/sec²

OPTIONS

- Armrests angle adjustable & tilt up.
- Hip restraints
- Seat belt to ISO 6683
- Swivel 12°-12°
- Hydraulic Damper
- Seat heaters 12, 24, 48v
- Operator presence switch
- Range of fabric, velour or PVC trim

Sears Manufacturing Co.(Europe) Ltd
 Unit 42, Rassau Industrial Estate,
 Ebbw Vale, Gwent NP23 5SD.
 United Kingdom
 Tel. 0044(0) 1495 304518
 Fax. 0044(0) 1495 304452
 Email: infouk@searsseating.com
 www.searsseating.com

