

SEARS SEATING

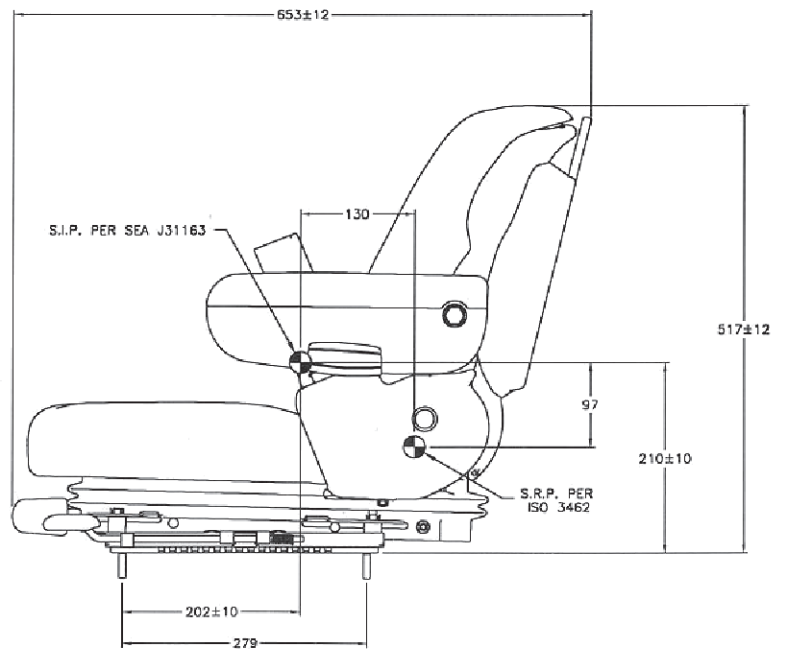
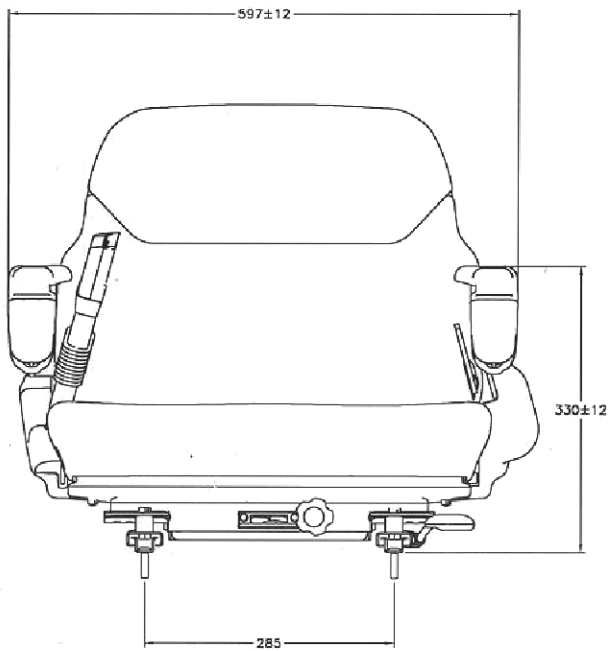
1502 Series

SHAPING *the future of seats today*



Multi - Innovationspreisgekrönte Sitze





Low profile Torsion™ spring full mechanical suspension

FEATURES

Replaceable double depth Fabriform® comfort Cushions
Back angle fully adjustable
Weight adjustment 30-130kg
Suspension stroke 60mm
Slide travel 160mm
Moulded suspension cover
Vibration performance to ISO 7096

OPTIONS

Armrests angle adjustable & tilt up.
Hip restraints
Seat belt to ISO 6683
Swivel 15°-15°
Hydraulic Damper
Suspension stroke 90mm
Seat heaters 12, 24, 48v
Operator presence switch
Range of fabric, velour or PVC trim

Sears Manufacturing Co.(Europe) Ltd
Unit 42, Rassau Industrial Estate,
Ebbw Vale, Gwent NP23 5SD.
United Kingdom
Tel. 0044(0) 1495 304518
Fax. 0044(0) 1495 304452
Email: infouk@searsseating.com
www.searsseating.com

