

SEARS SEATING

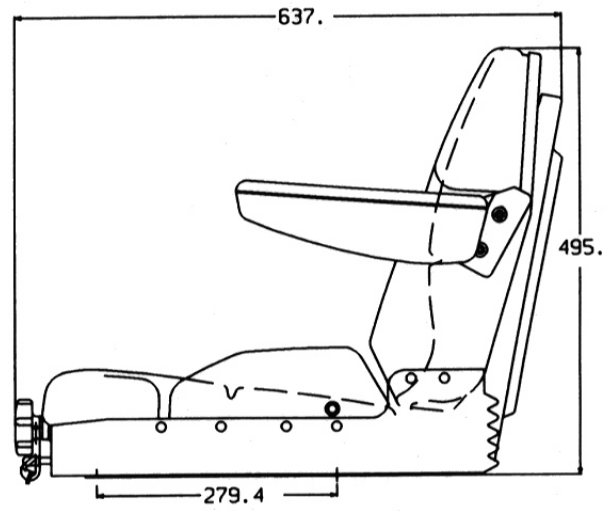
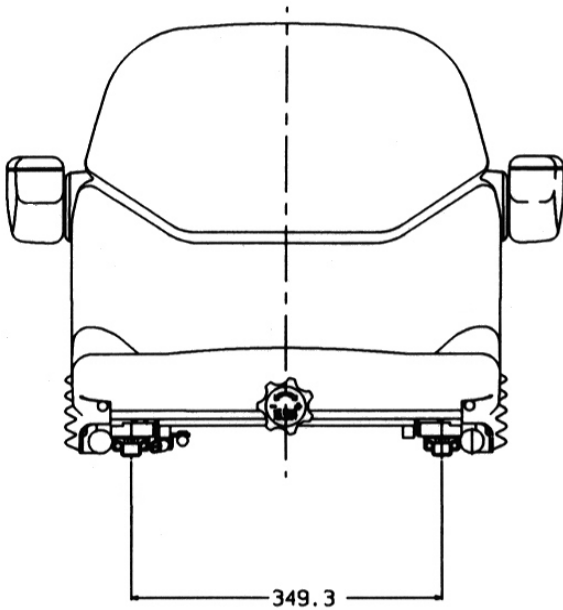
1200 Series

SHAPING *the future of seats today*



Multi - Innovationspreisgekrönte Sitze





Fully integrated Semi-Suspension

FEATURES

- Double depth Fabriform® comfort cushions
- Adjustable Backrest
- Weight adjustment 30-130kg
- Slide travel 160mm
- Self Draining cushions with cross ventilation
- Vibration performance to ISO 7096

OPTIONS

- Armrests with height pitch & tilt up adjustment
- Hip restraints
- Seat belt to ISO 6683
- Hydraulic Damper
- Seat heaters 12, 24, 48v
- Operator presence switch
- Range of fabric, velour or PVC trim

Sears Manufacturing Co.(Europe) Ltd
Unit 42, Rassau Industrial Estate,
Ebbw Vale, Gwent NP23 5SD.
United Kingdom
Tel. 0044(0) 1495 304518
Fax. 0044(0) 1495 304452
Email: infouk@searsseating.com
www.searsseating.com

