



## 70 SERIES

### ■ Standard Features

- Atlas seat top with Comfort Zone™ support structure system
  - Contoured seat and back pans
  - Seat tilt and extension – 3 positions
  - Air lumbar
  - High-back seat
  - Ergonomic 22" wide seat and back cushions
  - Full recliner – backrest
- Stabilizer™ double-locking slide/isolator with 9" slide travel
- Atlas ToggleLink Suspension® with flat floor riser



70 Premium  
Comfort Series

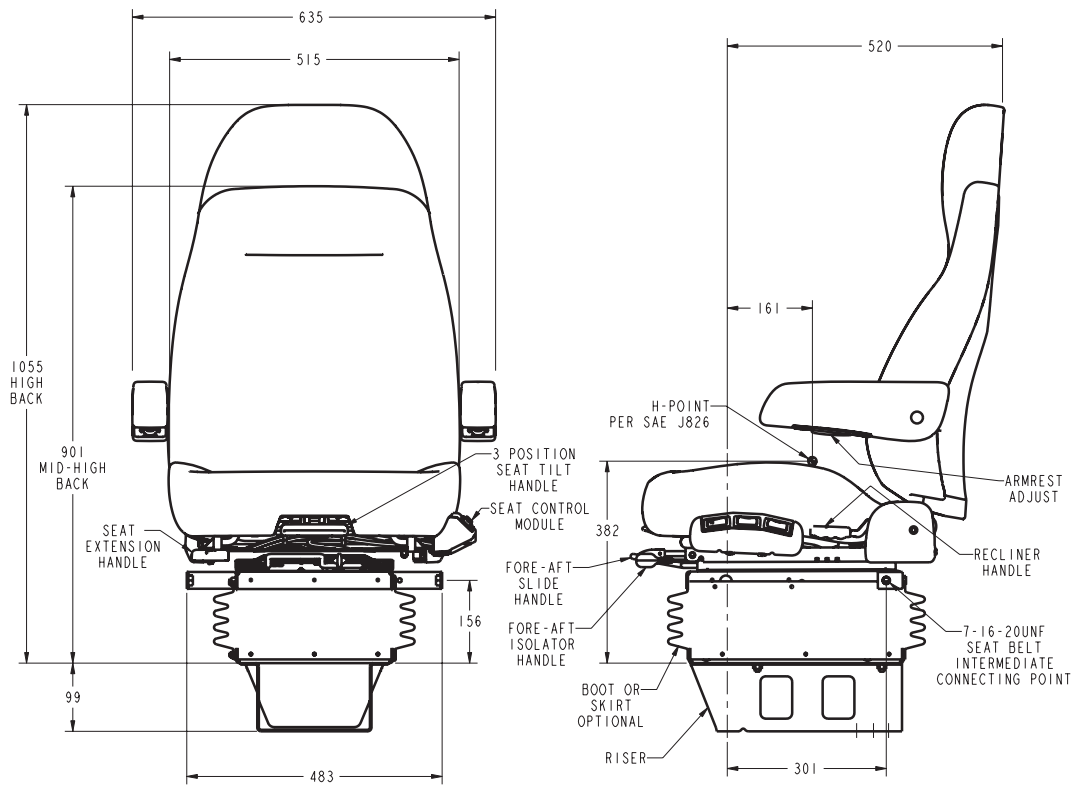


70 Series

**SEARS**  
SEATING

We make the world's best seats.

# ATLAS 70 SPECIFICATIONS



## Optional Accessory Kits

- Armrest Kit - LH & RH
- Vinyl Suspension Skirt Kit
- Curved Floor Adapter Kit
- StowAway Armrest Kit - LH & RH

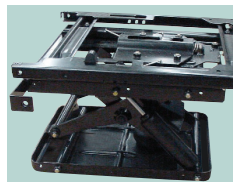
## Options

- Vinyl or cloth upholstery
- Cleanable and durable Fabriform® cloth upholstery with 5 year warranty
- Driver or passenger swivel
- Mid-high backrest height
- Dual armrests (factory installed)
- Premium Comfort Package (highback only)
  - Seat extension – independent in 3 positions
  - Seat tilt – independent in 3 positions
  - Air lumbar – height adjustable
  - Ultraleather upholstery

# ATLAS ADVANTAGES



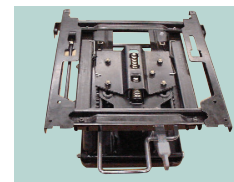
StowAway armrests available for easy access to sleeper compartment.



Extremely stable ToggleLink Suspension® for comfortable controlled ride.



Contoured magnesium and steel Comfort Zone™ support structure for long-term driver comfort.



Stabilizer™ double-locking slides/isolator with 9" slide travel for superior fore/aft isolation and range of adjustment.



Independent seat tilt and extension to fit drivers of all sizes.



Seat-top mounted controls for easy and comfortable control access.



Ergonomic cushions with 3" of foam on the center line for increased comfort vs. ordinary seats.