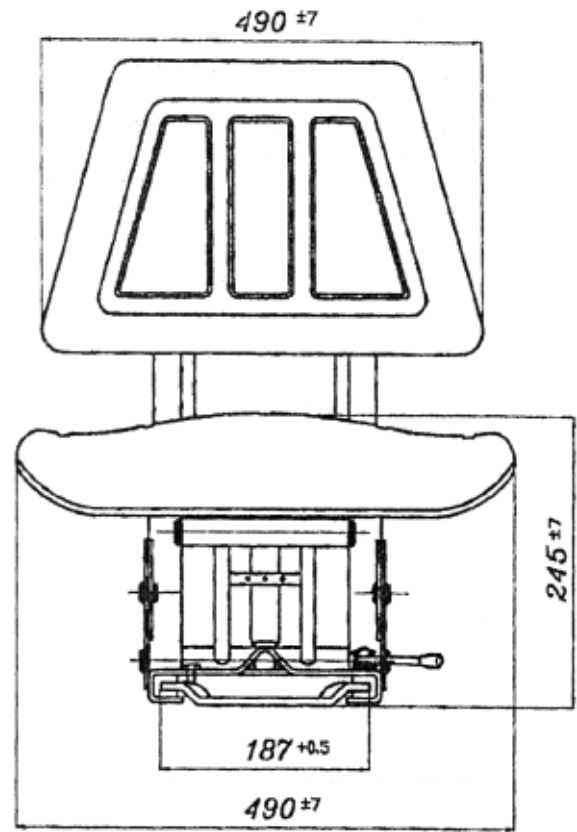
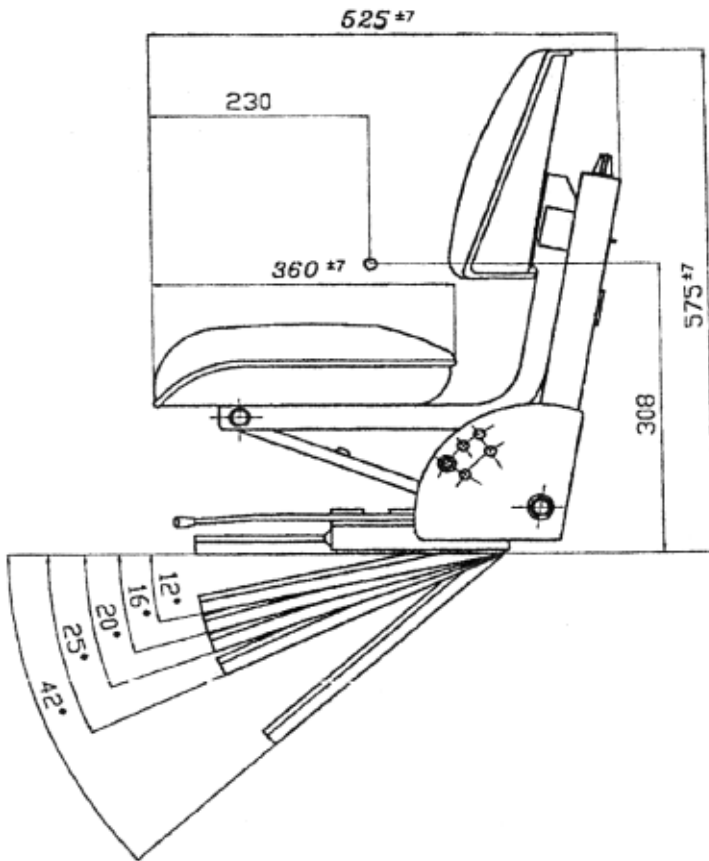


705E

- Trapezoidal back cushion
- Adjustable angled base to allow for 5 different mounting angles (05)
- Fore and aft adjustment of 150mm (5-7/8")
- Weight adjustment of 60-120Kg (130-265lbs)
- Seat belt fixation points under seat pan
- Fits Massey Ferguson, Case, Deutz, Ford, International Harvester, and John Deere



705E



Cushion Materials

- Black Vinyl
- Blue Vinyl
- Optional Armrests

