



## Air Suspension Seats:

**5052E – Black vinyl**  
**5052 – Fabriform® gray cloth**

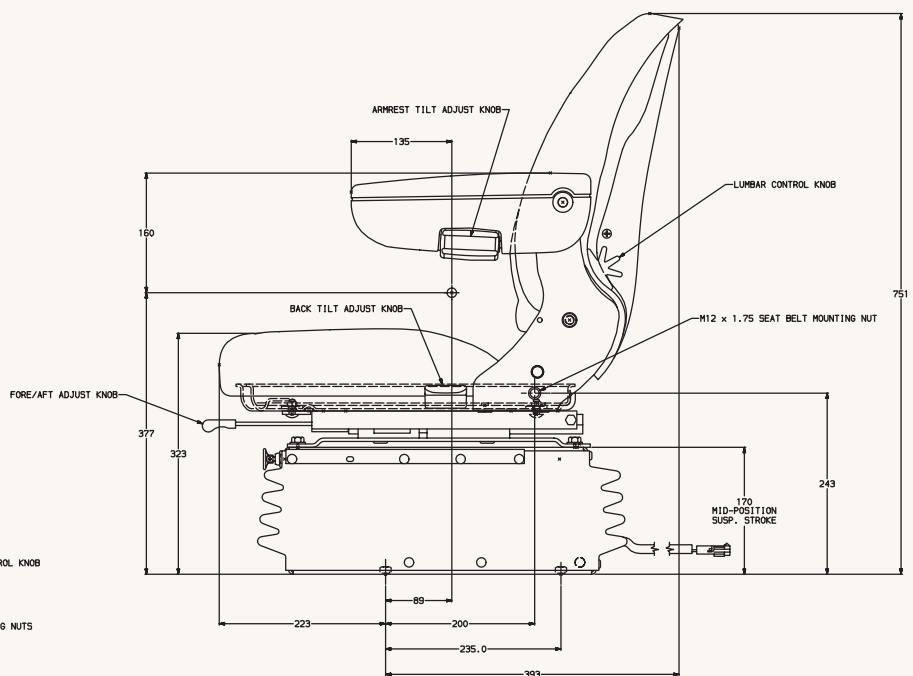
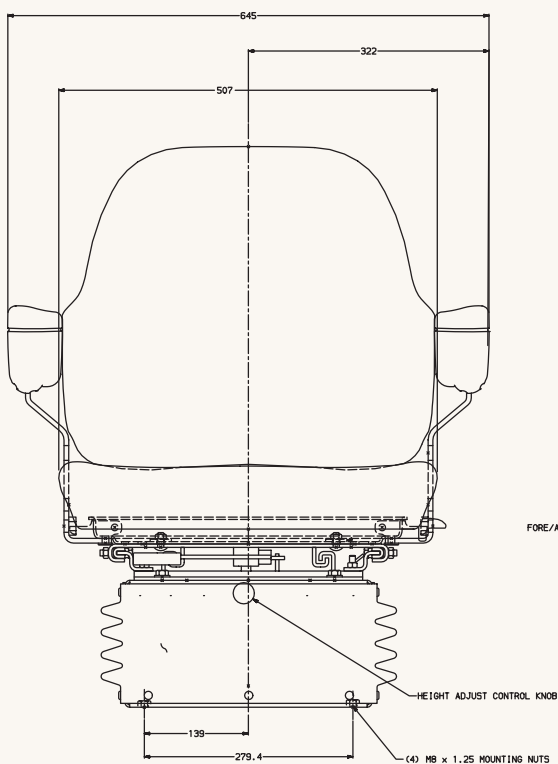
- Heavy-duty CE air suspension
  - Wide footprint with heavy-duty components
  - Suspension stroke – 96mm
  - Height adjust – 76mm
  - Heavy-duty puck slide package – 152mm
  - Shock
  - 12-volt or 24-volt air compressor
  - Suspension cover (boot)
- 5000 Series seat top
  - Ergonomic contoured comfort cushions
  - Recliner
  - Lumbar
  - Armrests — tilt-up & adjustable



5052

### Applications:

Large Construction Equipment (Wheel Loaders, Graders, Crawlers), Mining Equipment, Compactors, Off-highway Trucks



**SEARS SEATING** We make the world's best seats.™

U.S.A.: P.O. Box 3667 / Davenport, IA 52808 / Toll-Free: 800 553 3013 / Phone: 563 383 2800 / Fax: 563 383 2819

[www.searsseating.com](http://www.searsseating.com)

©2004 Sears Manufacturing Company

0M1029