



Suspension Seat:

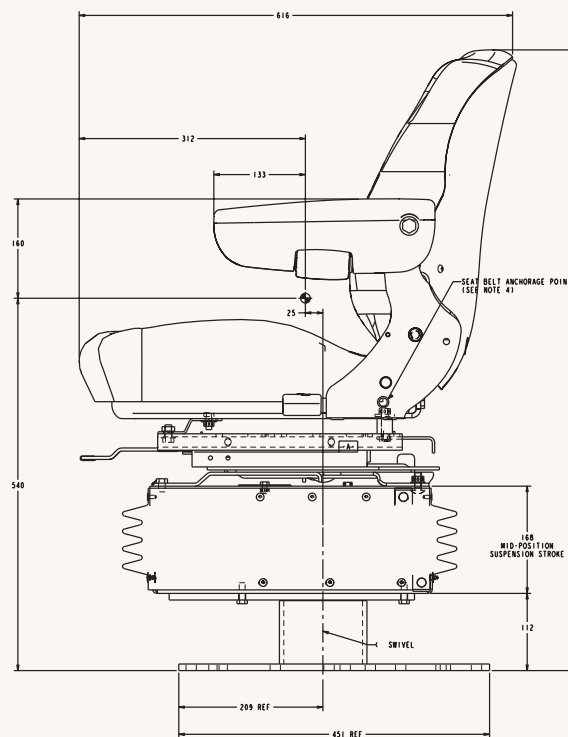
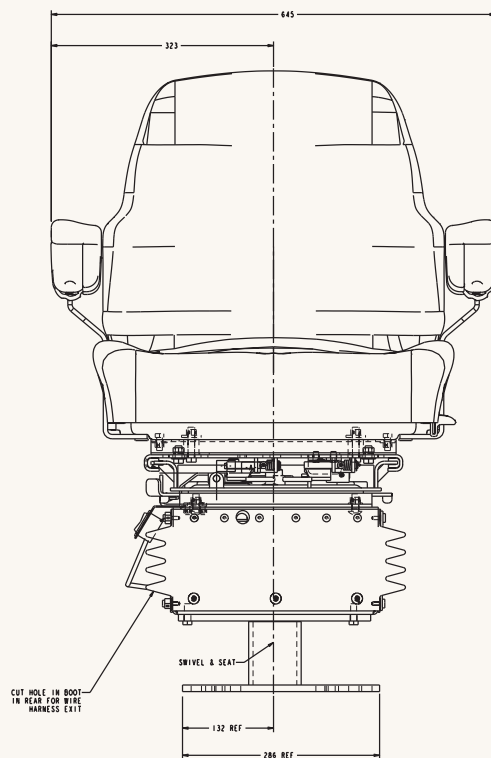
5040E/T – Black vinyl 5040/T – Fabriform® gray cloth

- LP air suspension
 - Suspension stroke – 89mm
 - Right-hand rocker air control valve
 - Shock absorber
 - Molded suspension cover (boot)
- Heavy-duty single bolt slide/swivel package
 - Slide adjust – 152mm
 - Swivel – 180 degrees
- 5000 Series seat top
 - Ergonomic contoured comfort cushions
 - Recliner
 - Armrests — tilt-up & adjustable
 - Lumbar
- Pedestal with multiple mounting patterns
 - 168.9mm x 168.9mm
 - 160mm x 260mm
 - 160mm x 182mm
 - 228.6mm x 317.5mm
 - 190.5mm x 381mm



5040/T

Applications: Backhoe Loaders



SEARS SEATING We make the world's best seats.™

U.S.A.: P.O. Box 3667 / Davenport, IA 52808 / Toll-Free: 800 553 3013 / Phone: 563 383 2800 / Fax: 563 383 2819

www.searsseating.com

©2004 Sears Manufacturing Company

0M1029