



Suspension Seats:

**5025E – Black vinyl
5025 – Fabriform® gray cloth**

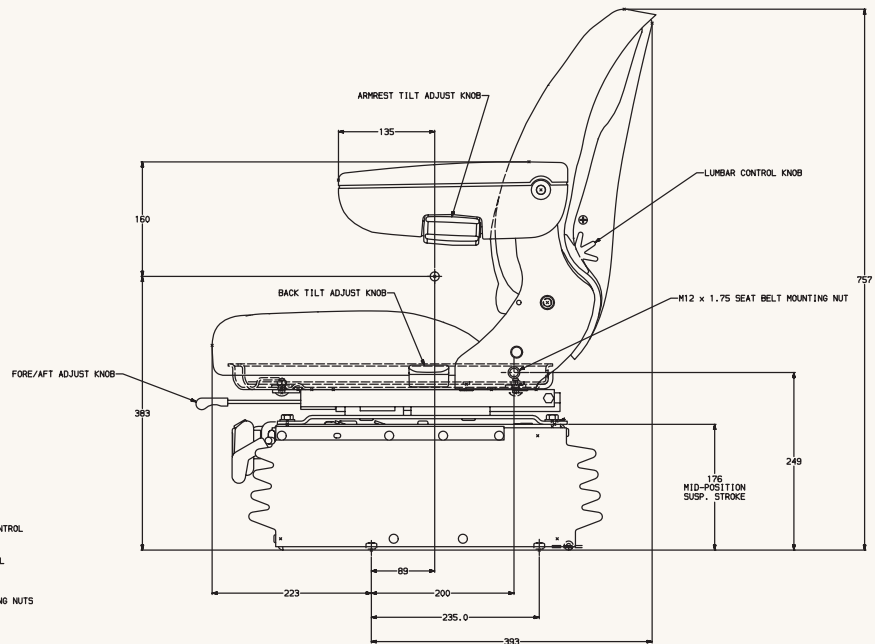
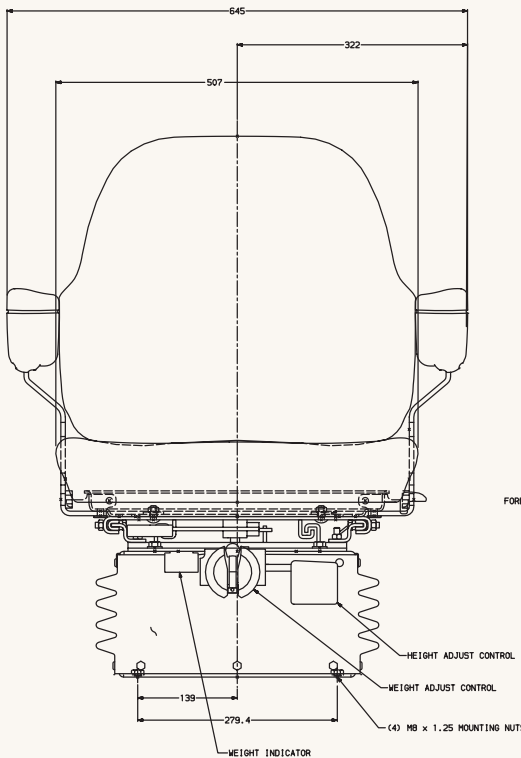
- Deluxe mechanical suspension
 - Suspension stroke – 96mm
 - Lever actuated, spring assisted height adjust – 78mm
 - Heavy-duty slides package – 152mm
 - Shock
- 5000 Series seat top
 - Ergonomic contoured comfort cushions
 - Recliner
 - Lumbar
 - Armrests — tilt-up & adjustable



5025E

Applications:

Large Construction Equipment (Wheel Loaders, Graders, Off-highway Trucks), Mining Equipment



SEARS SEATING We make the world's best seats.™

U.S.A.: P.O. Box 3667 / Davenport, IA 52808 / Toll-Free: 800 553 3013 / Phone: 563 383 2800 / Fax: 563 383 2819

www.searsseating.com

©2004 Sears Manufacturing Company

OM1029